

4

3

2

1



NOTES:

1 SECONDARY SHEAVE AND SECONDARY AXLE WILL BE SHIPPED TOGETHER. SEE BUBBLE NUMBERS 63.

PRODUCT:

RBK 815/825/835/885/PVS15



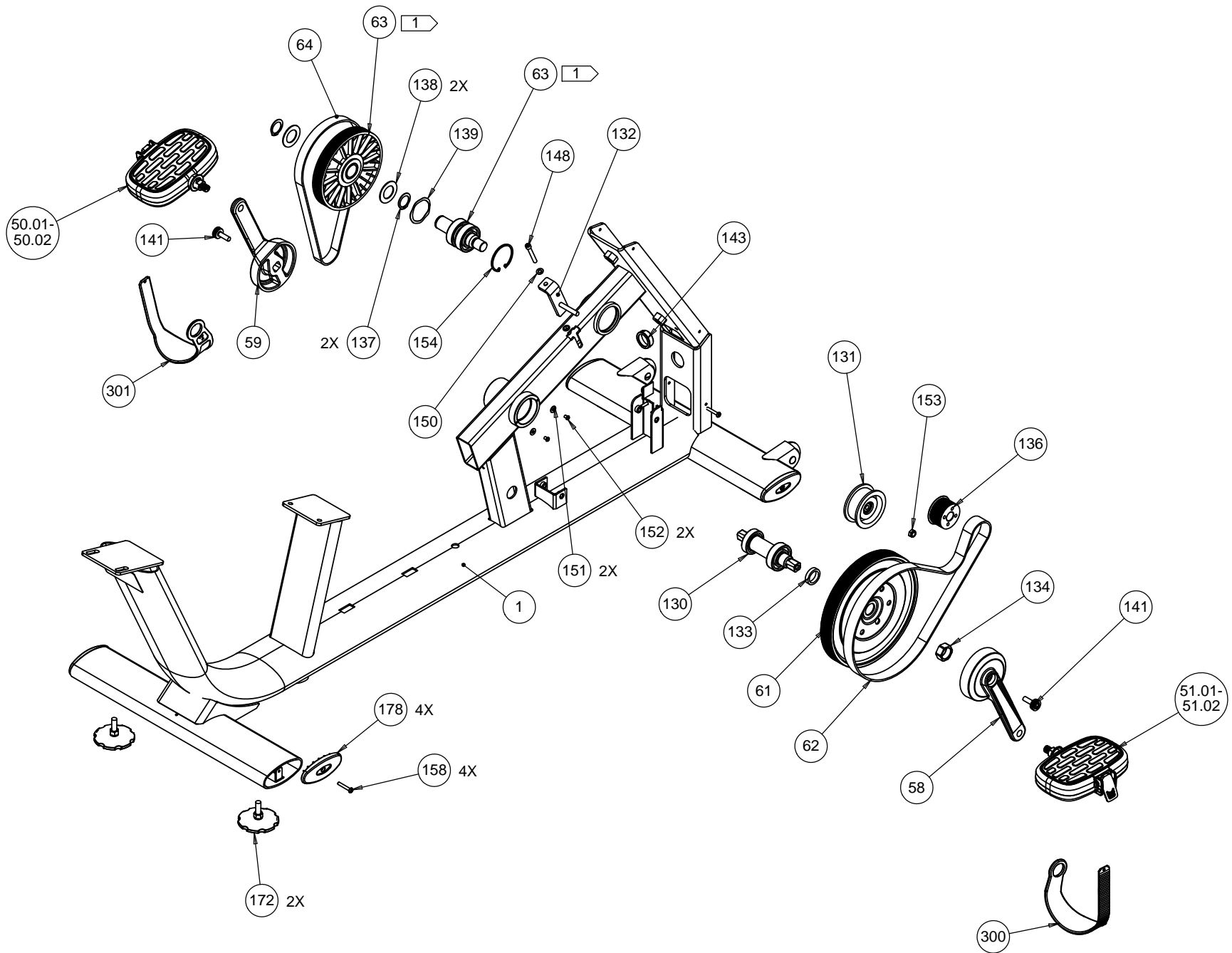
DRWN BY	02/20/15	KAW	SIZE
CS	02/12/15	BG	A

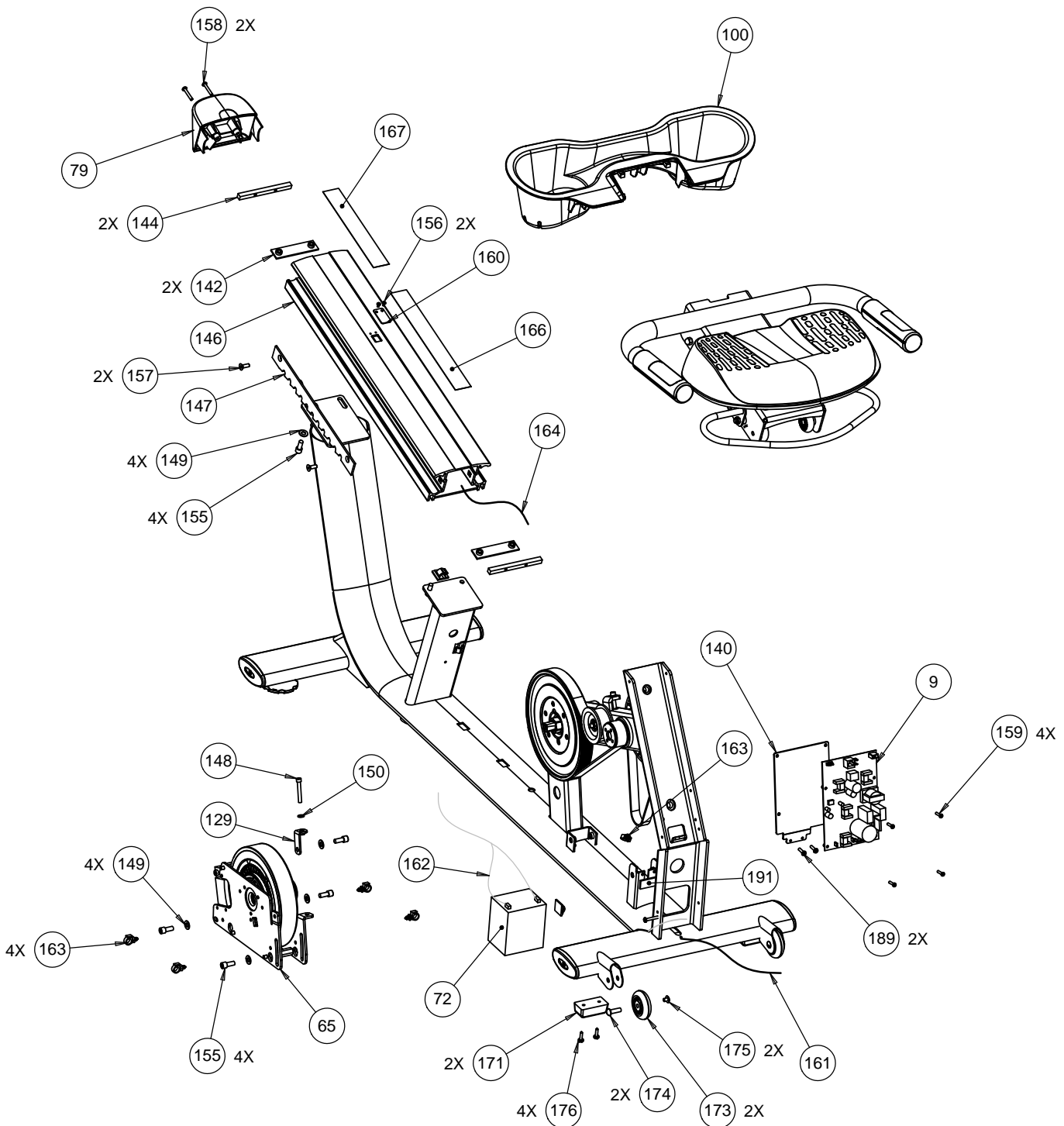
PAGE	1 OF 5
------	--------

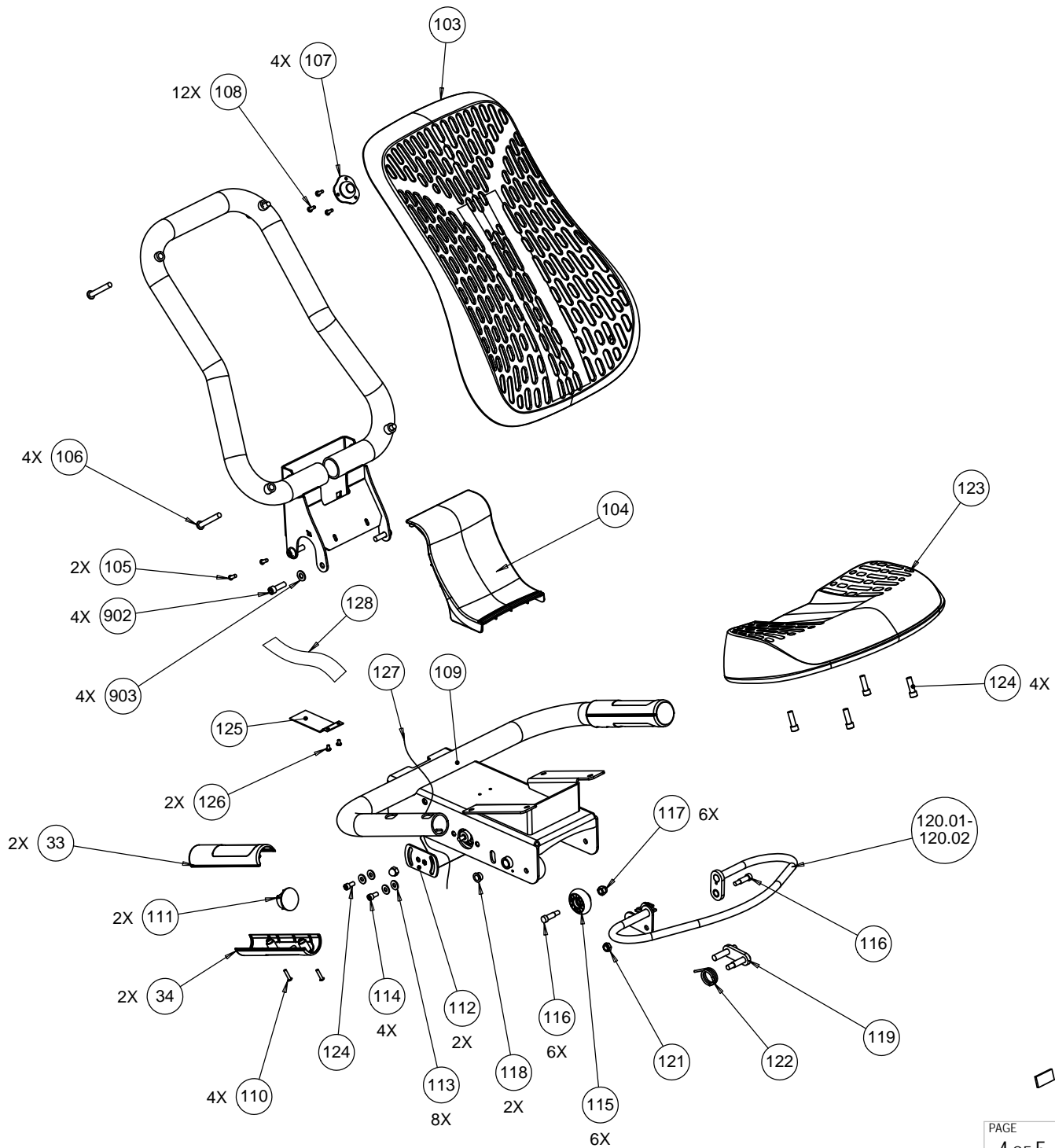
DWG. NO.

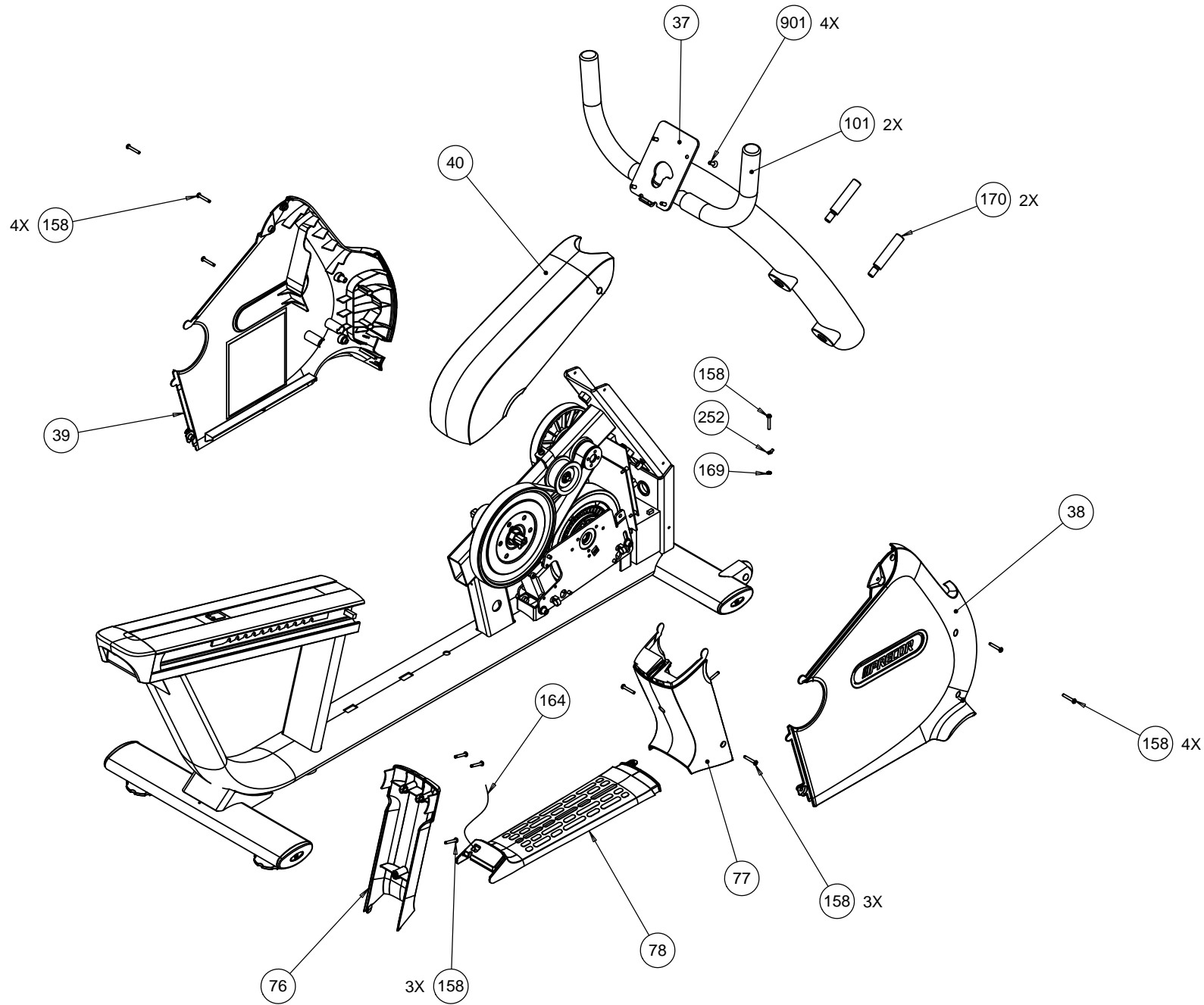
300831-101

SUBREV	R
--------	---









Bubble #	OEM Number	Description
118	PPP00000010043109	BEARING FLANGE ID-.377,OD-.502
143	PPP00000010178110	BUSHING,SNAP-IN,1.25OD X 1.0ID
62	PPP00000010217135	BELT, DRIVE, 400J10 POLY V
64	PPP00000010217145	BELT, DRIVE, 300J8 POLY V
75	PPP00000010427151	FUSE,SLOW,10A,32V,1/4 DIA
252	PPP00000010622064	CONN,QK DISC,TAB,187X032,45DEG,0.19
138	PPP00000012089103	26MM THRUST BEARING IGUS,GTM-2644-0
72	PPP00000012258040	BATTERY,SLA,12V,4AH,.187 TABS
163	PPP00000012414101	CABLE CLAMP INSERT,SNAP IN
171	PPP00000031074105	FOOT, FIXED, BLACK
33	PPP00000035700103	GRIP, HHR, TOP, RBK10, BLACK, FLIP
34	PPP00000035701103	GRIP, HHR, BOTTOM, RBK10, BLACK, F
115	PPP00000038578102	WHEEL,846R
161	PPP00000044905072	ASSY,CBL,MOD,8P8C,1-1,SILVER,72 in.
164	PPP00000045018132	ASSY,CBL,HHR,FFC TO DISPLAY,24AWG,
61	PPP00000045440103	PULLEY,INPUT
136	PPP00000045450105	SHEAVE, SECONDARY AXLE
128	PPP00000045504015	ASSY,CBL,FFC,04 COND,28AWG,15 in.
125	PPP00000045628103	CABLE CLAMP, SEAT, RECUMBENT
127	PPP00000045840024	ASSY,CBL,HHR,FFC TO GRIPS,22AWG,24
160	PPP00000045854102	CABLE CLAMP, EXTR, RECUMBENT
9	PPP00000049445102	ASSY, LOWER PCA & SW, LCSPAM BIKE,
63	PPP00000058026101	CS KIT, SECONDARY SHEAVE/AXLE UBK 1
134	PPP000000300515101	LOCKNUT, INPUT PULLEY
133	PPP000000300517101	SPACER, INPUT SHAFT
131	PPP000000300518101	IDLER, MODIFIED
132	PPP000000300519101	TENSIONER, IDLER
129	PPP000000300520101	TENSIONER, GENERATOR
170	PPP000000300521102	BOLT, MAST MOUNTING
65	PPP000000300522101	GENERATOR, BIKE
59	PPP000000300525105	CRANK, BIKE, LH, GMS
58	PPP000000300525106	CRANK, BIKE, RH, GMS
141	PPP000000300526101	BOLT, CRANK RETAINER
130	PPP000000300528101	ASSEMBLY, INPUT SHAFT
178	PPP000000300531101	ENDCAP, ELLIPTICAL,SILVER GRAY
111	PPP000000300532101	ENDCAP, HANDLEBAR
166	PPP000000300535101	LABEL, FRONT SEAT RAIL, RECUMBENT
167	PPP000000300536101	LABEL, REAR SEAT RAIL, RECUMBENT
120.01	PPP000000300547102	ASSEMBLY, RELEASE HANDLE, LED BLUE
120.02	PPP000000300547102	ASSEMBLY, RELEASE HANDLE, LED BLUE
103	PPP000000300548102	ASSEMBLY, FLEX MOUNT, TUNGSTEN
122	PPP000000300556101	SPRING, TORSION, RECUMBENT SEAT CAR
146	PPP000000300561102	RAIL, SEAT, RECUMBENT
144	PPP000000300564101	BAR, RECUMBENT SEAT STOP
147	PPP000000300565102	PLATE, RAIL LOCK
119	PPP000000300572102	WELDMENT, RELEASE PIVOT

1041?	PPP00000300581101	COVER,SEAT BACK BRACKET,SILVER GRAY
1001?	PPP00000300582102	CUP HOLDER,RECUMBENT,TUNGSTEN
401?	PPP00000300585102	COVER,RBK800,TOP,TUNGSTEN
771?	PPP00000300586102	COVER,RBK800,WATERFALL,TUNGSTEN
781?	PPP00000300587102	COVER, KICKPLATE, TUNGSTEN
761?	PPP00000300588102	COVER,WATERFALL CAP,TUNGSTEN
791?	PPP00000300589102	COVER, RAIL CAP, TUNGSTEN
1074?	PPP00000300607102	FLEX MOUNT,SEAT BACK,TUNGSTEN
1012?	PPP00000300805116	GRIP, HANDLEBAR, PLASTI-SOL,TEXTURE
1122?	PPP00000300834101	WELDMENT, ECCENTRIC PLATE, STEEL
391?	PPP00000300883102	ASSY, COVER, RECUMBENT, LEFT,SILVER
381?	PPP00000300884102	ASSY, COVER, RECUMBENT, RIGHT,SILVE
9991?	PPP00000301109106	ASSY, LITERATURE/HARDWARE KIT RBK10
1401?	PPP00000301649103	BRACKET, LPCA, BIKE
1732?	PPP00000301665101	WHEEL,TRANSPORT, 19X60, BLACK
1422?	PPP00000302281101	PLATE, NUT, SEAT RAIL, RBK10
1911?	PPP00000302387101	BUMPER, BATTERY
1231?	PPP00000302708102	SEAT BOTTOM,RECUMBENT,BLACK
1722?	PPP00000303093101	FOOT,ADJUSTING,NO LOGO,WITH LOCK NU
50.021?	PPP00000303163105	PEDAL, BIKE, LED BLUE CLIP,LEFT, SS
51.021?	PPP00000303163106	PEDAL, BIKE, LED BLUE CLIP,RIGHT SS
162.021?	PPP00000305502015	ASSY,CBL,2C,18AWG,QDK,10A SB,15 in.
162.011?	PPP00000305502021	ASSY,CBL,2C,18AWG,QDK,10A SB,21 in.
1541?	PPP00000ADHN052002	RING, RETAINING, INTERNAL (52MM)
1144?	PPP00000CAMN025050	SCREW,SKHD,1/4-20X0.50,ZN (MECH PLA
9024?	PPP00000CAMN031075	SCREW,SKHD,5/16-18X0.75,ZN (MECH PL
1244?	PPP00000CATN031075	SCREW,SKHD,5/16-18X0.75,BLK SHARPER
1558?	PPP00000CATN031075	SCREW,SKHD,5/16-18X0.75,BLK SHARPER
1482?	PPP00000CFRN025175	SHCS,1/4-20 X 1.75,FULL THREAD,STL,
1531?	PPP00000KDCN031025	LOCKNUT, FULL 5/16-18, ZINC
2161?	PPP00000KMCN038034	NUT, HEX, 3/8-16, ZINC
1752?	PPP00000MCCN025031	SCREW,1/4-20 X 5/16, MACH, TRUSS PH
1522?	PPP00000MGCE019025	SCREW, P/H, MACH, 10-24 X 1/4, NYLO
1562?	PPP00000MGCN013025	SCREW,MCH,6-32X1/4,PANHD,PHIL,
1262?	PPP00000MGCN016025	SCREW,MCH,8-32X1/4,PANHD,PHIL,
1594?	PPP00000MGCN016075	SCREW,MCH,8-32X3/4,PANHD,PHIL,
1052?	PPP00000MGCN019050	SCREW, MACHINE, 10-24X1/2, PANHD, P
1764?	PPP00000PKCN019075	SCREW,S/T,#10X.75,WSHHXHD,ZN
1167?	PPP00000RANN031075	SCREW,SHLD,5/16 X 3/4,HEXSC,
1104?	PPP00000TCNN016075	SCREW, BTHD, 8-32X.75,SS
1064?	PPP00000TCNN031225	SCREW,BTHD,5/16-18X2.25,SS
1512?	PPP00000WACN019005	WASHER, FLT, #10X.500X.049,ZN
1498?	PPP00000WBCN031007	WASHER,FLT,5/16X.688X.065, ZN
9034?	PPP00000WBCN031007	WASHER,FLT,5/16X.688X.065, ZN
1138?	PPP00000WNCN026006	WASHER,FLT,1/4X.625X.063,ZN
1502?	PPP00000WNCN026006	WASHER,FLT,1/4X.625X.063,ZN
1176?	PPP00000KBFCN031053	NUT,ACORN,5/16-18, CENTERLOCK

1742?	PPP0000KBKCN025100	NUT,BARREL,STEEL,TRUSS HEAD,UNC,1/4
9015?	PPP0000MACCN025062	MACHINE SCREW, 1/4-20, [FLAT HEAD,
1572?	PPP0000MACCN025075	MACHINE SCREW, 1/4-20, FLAT HEAD,
15819?	PPP0000PANTA019125	SCREW,S/T,#10-24X1.25, PANHD,PHIL,T
10812?	PPP0000PARTN016050	SCREW,SELF-TAP,TRI,PAN HD PHIL,#8 X
1391?	PPP0000WAKNN044004	WASHER, WAVE, SSB-0205
1691?	PPP0000WAMCN019002	WASHER, LOCK, EXT TOOTH, #10